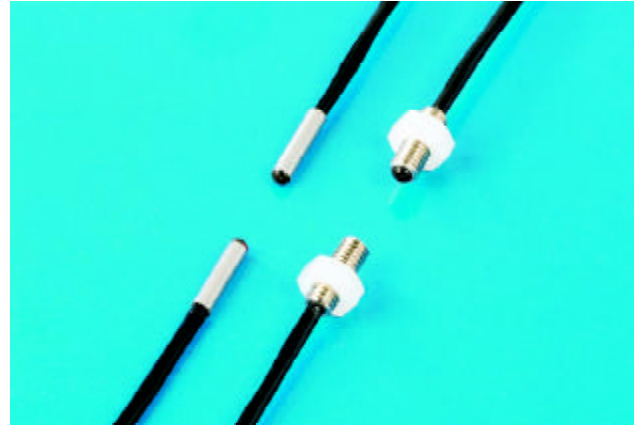




## DL20 • DLM30

MICRO THROUGH BEAM SENSOR  
with separate amplifier

- ▷ non-fiber, highly flexible electrical cable (perfect to replace fiber optics)
- ▷ space savings due to no max. bending radi
- ▷ no signal loss due to bending or length of cable
- ▷ high power optics within the sensor housing (highest resolution without additional lensing or apertures)



<ul style="list-style-type: none"> <li>• Ø 2 mm x 8 mm</li> <li>• Stainless steel</li> <li>• Infrared light 880 nm</li> </ul>	<p><b>DL20</b></p>  <p>Actual size</p>
<ul style="list-style-type: none"> <li>• M3 x 0,5 mm x 8 mm</li> <li>• Stainless steel</li> <li>• Infrared light 880 nm</li> </ul>	<p><b>DLM30</b></p>  <p>Actual size</p>

### GENERAL TECHNICAL DATA

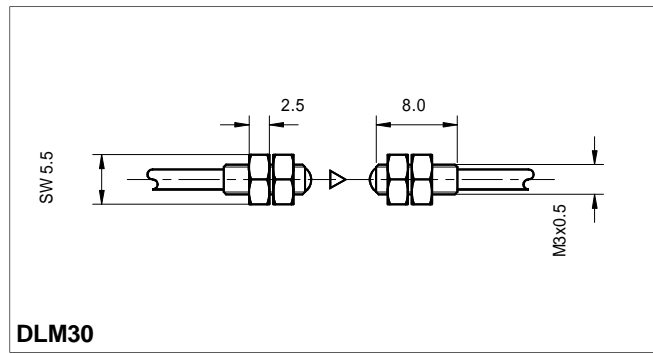
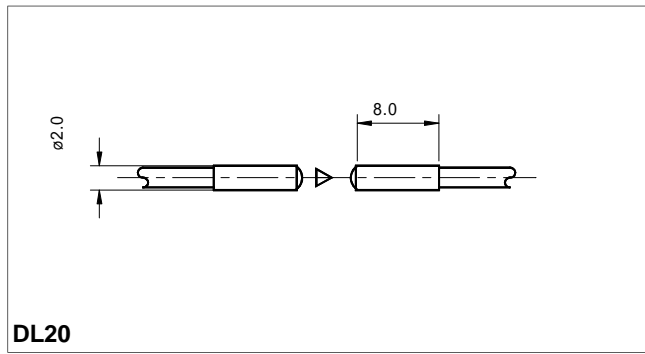
light type	Red 660nm or Infrared 880nm
connection type	PUR-cable with connector
temperature range	-10°C to +55°C
protection class	IP 65

### SMALLEST OBJECT and SENSING DISTANCE

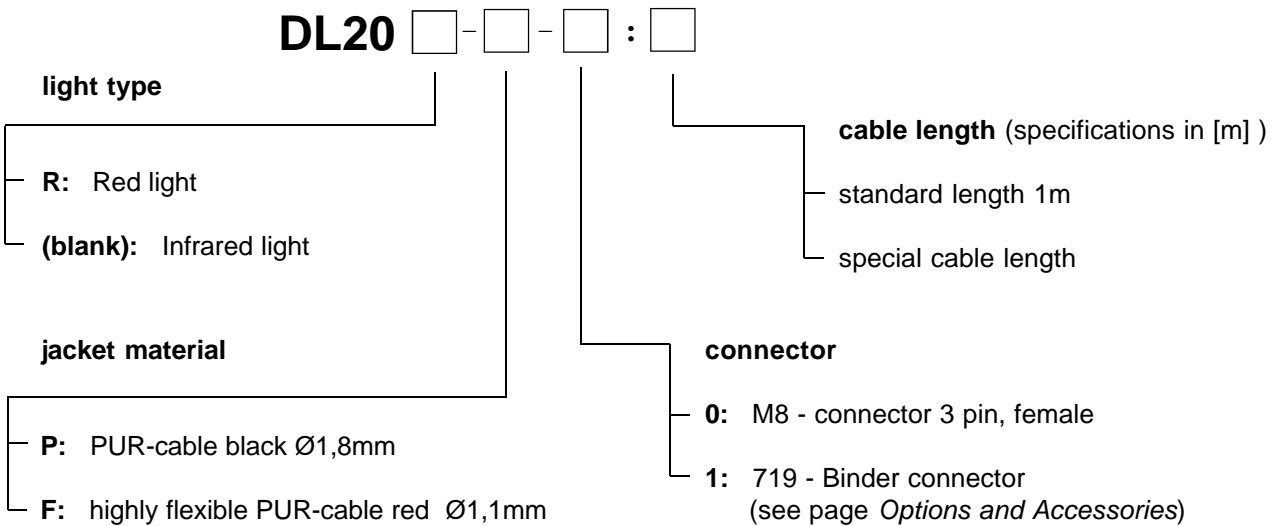
sensing distance	300 mm
smallest object (Ø copper wire)*	0,2 mm

\*copper wire of infinite length

**DIMENSIONS**



**PART DESIGNATION**



**ORDER EXAMPLE:**

**DL20R-P-0:1m** = DL20 Red light - PUR-cable black - M8, 3 pin female: (cable length 1m x 2)

**Please remember, for correct operation, a separate amplifier is required.**